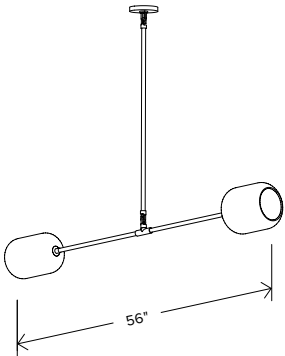


Equi 2
chandelier



Plan view bounding box: 56" x 9.0"
 *Fixture dimensions may change based on glass dimensions and how the fixture is balanced
 Materials: glass, metal
 Total Product weight: 9 lbs
 Light source: candelabra base E12 socket
 Lamping: E12 base, G16.5 lamp, 40 W max 250 V AC max
 Round canopy with a hook and 5/8" diameter stem suspension
 Canopy dimensions: 4.5" Ø x .07"
 Overall drop length is field cuttable: 12" min, 78" max
 Canopy finish matches Metal Finish
 Suitable for sloped ceilings
 UL listed for damp locations



MATERIAL & FINISH OPTIONS

Equi 2 part # S09-1102-

Glass Finish enamel white (GL-245)	245
Metal Finish brushed brass (CM-008) black (CM-030)	SB BK
Lamping bulb included - 2700 K, 90 CRI, 4 W, 350 lumens, 120 V AC no bulb included	BU 00

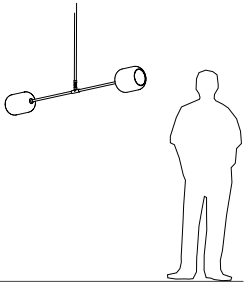
Inspired by a desire to create a fixture that reaches and spreads through space, the Equi chandelier relies on finding its balance points to create a composition of subdued elegance. Both a mobile and chandelier, the Equi uses custom metal components to hinge and pivot hand blown glass shades at various distances. The final effect is one of deceptive simplicity. The Equi is available in three distinct variations that can stand alone or work in concert to create a fixture that can fill any size environment.

The Equi 2 is part of the Equi Collection, which includes fixtures in various configurations. See the full collection at siemonandsalazar.com.

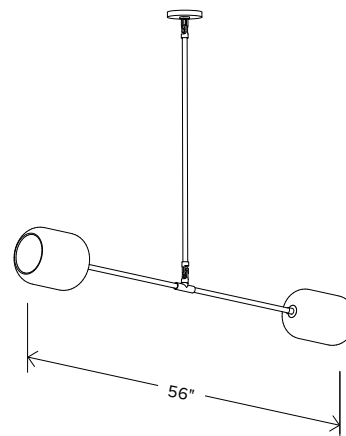
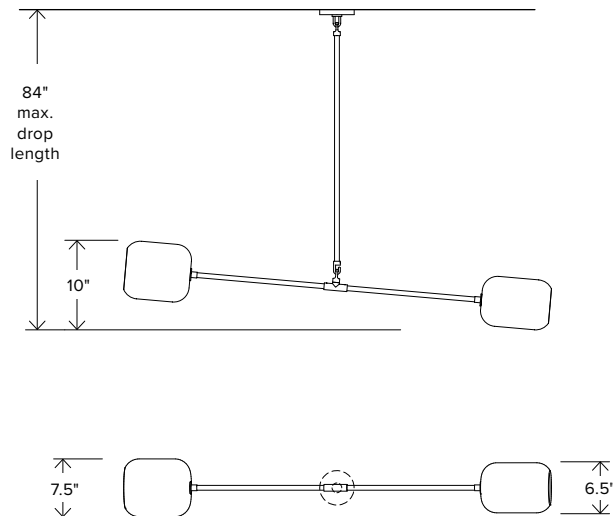
"Each piece of hand-blown glass is a unique work of art. Dimensions, weight, and color will vary. When multiple fixtures are installed next to each other, expect some variation in shape and color.

Specifications subject to change.

Extended drop lengths, metal finishes, and alternate glass finishes and shapes are available for an extra charge. Please contact local rep or factory directly.



⚠ Warning. California Proposition 65 Warning for California Consumers. This product can expose you to chemicals including wood dust and lead which are known to the State of California to cause cancer or birth defects or other reproductive harm. For more information go to www.P65Warnings.ca.gov



SPECIFICATIONS

Glass Shade Dimensions*

Each Equi chandelier comes with 2 different glass shades

Short: 7.5" Ø x 8.5" H, 3.5 lbs

Med: 6.5" Ø x 9.0" H, 3.5 lbs

* Each piece of hand-blown glass is a unique work of art. Dimensions, weight, and color will vary. When multiple fixtures are installed next to each other, expect some variation in shape and color.

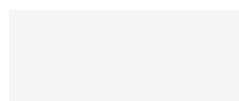
Dimension Specifications*

56" x 9.0" x 10.0"

Overall drop: 18" minimum, 84" max, field cuttable

* Fixture dimensions and OAD may change based on glass dimensions and how the fixture is balanced.

GLASS FINISHES



enamel white (GL-245)

METAL FINISHES



brushed brass (CM-008)



black (CM-030)

⚠ Warning. California Proposition 65 Warning for California Consumers. This product can expose you to chemicals including wood dust and lead which are known to the State of California to cause cancer or birth defects or other reproductive harm. For more information go to www.P65Warnings.ca.gov